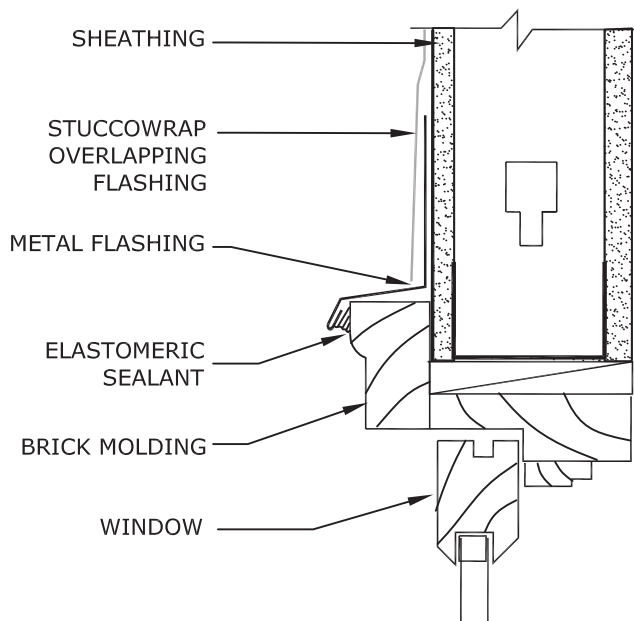


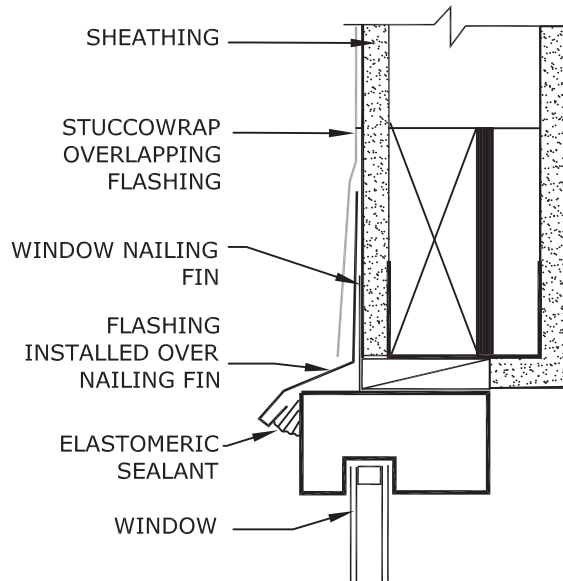
(PICTORIAL)

**STEP 9: METAL HEAD FLASHING**

FLASHING SHOULD BE FABRICATED IN THE PROFILE SHOWN, LENGTH OF FLASHING IS 1" (25 MM) LONGER THAN THE WIDTH OF THE WINDOW FRAME. END DAMS SHOULD BE TURNED UPWARD 5/8" (16MM) AS SHOWN.



SECTION A-A  
WOOD WINDOW WITH BRICK MOULDING



SECTION B-B  
WINDOW WITH NAILING FIN

**STEP 10: INSTALLATION OF METAL FLASHING**

## PD G1.03C ROUGH OPENING PROTECTION

PERMADRAIN SYSTEM

- NOTES:
1. The length of the flashing is dependant on the type of window used.
  2. Sections A-A and B-B illustrate two types of windows.
  3. Flashing should be installed as illustrated. For any unusual conditions, please contact Parex USA Technical Services

Disclaimer: The design, specifications, and construction shall comply with all local building codes and standards. Parex USA installation guidelines are for general information and guidance only and Parex USA specifically disclaims any liability for the use of this design, and for design, engineering, or workmanship of any project. The assembly shall be designed to prevent condensation within the assembly. The designer and the user shall provide final drawings and specifications. Products shown other than those manufactured by Parex USA are shown for clarity of the Parex USA product only. Contact the manufacturer of such other products for installation instructions.