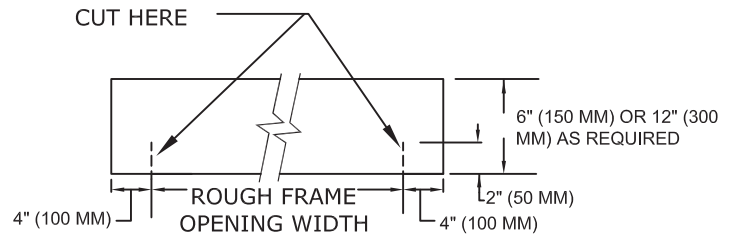


### STEP 1: STUCCOWRAP UNDER SILL

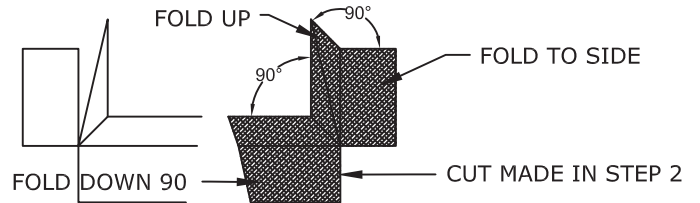
CUT STUCCOWRAP APPROXIMATE SIZE SHOWN AND STAPLE INTO PLACE AT BOTTOM OF THE ROUGH OPENING. IMPORTANT! STUCCOWRAP SHOULD ONLY BE STAPLED ALONG THE TOP EDGE.



### STEP 3: CUTTING PAREX USA FLASHING MEMBRANE

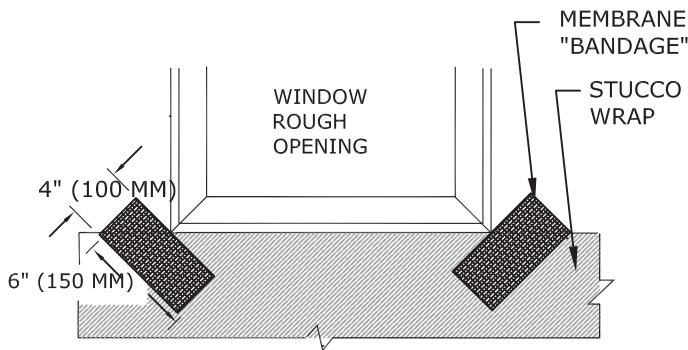
CUT A PIECE OF PAREX USA FLASHING MEMBRANE 8" (200 MM) LONGER THAN THE ROUGH OPENING WIDTH. MAKE 2 SMALL CUTS THROUGH THE MEMBRANE AS SHOWN.

NOTE: SELECT PAREX USA FLASHING MEMBRANE WIDTH 6" (150 MM) OR 12" (300 MM) AT LEAST 2" (50 MM) WIDER THAN THICKNESS OF SUBSTRATE WALL.



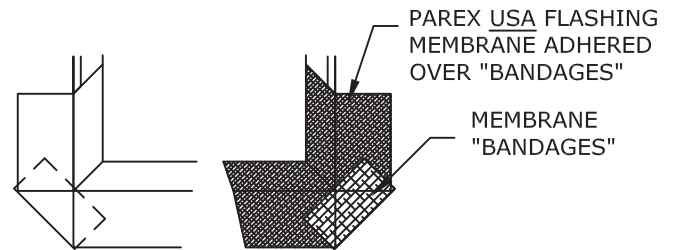
### STEP 4: FOLDING PAREX USA FLASHING MEMBRANE

FOLD MEMBRANE TO CONFORM WITH ROUGH OPENING. PEEL PROTECTIVE BACKER FROM MEMBRANE TO EXPOSE ADHESIVE



### STEP 2 : INSTALL MEMBRANE "BANDAGES"

PEEL PROTECTIVE BACKER FROM MEMBRANE AND INSTALL DIAGONALLY AT SILL CORNERS AS SHOWN. SHEATHING OR STUCCOWRAP SHOULD NOT BE VISIBLE AT THE CORNERS OF THE ROUGH OPENING.



### STEP 5: INSTALLING THE PAREX USA FLASHING MEMBRANE

INSTALL THE "SELF STICKING" PAREX USA FLASHING MEMBRANE AT THE ROUGH OPENING. MEMBRANE SHOULD LAP OVER THE PREVIOUSLY INSTALLED BANDAGES AND STUCCOWRAP.

## PD G1.03A ROUGH OPENING PROTECTION

PERMADRAIN SYSTEM

Disclaimer: The design, specifications, and construction shall comply with all local building codes and standards. Parex USA installation guidelines are for general information and guidance only and Parex USA specifically disclaims any liability for the use of this design, and for design, engineering, or workmanship of any project. The assembly shall be designed to prevent condensation within the assembly. The designer and the user shall provide final drawings and specifications. Products shown other than those manufactured by Parex USA are shown for clarity of the Parex USA product only. Contact the manufacturer of such other products for installation instructions.