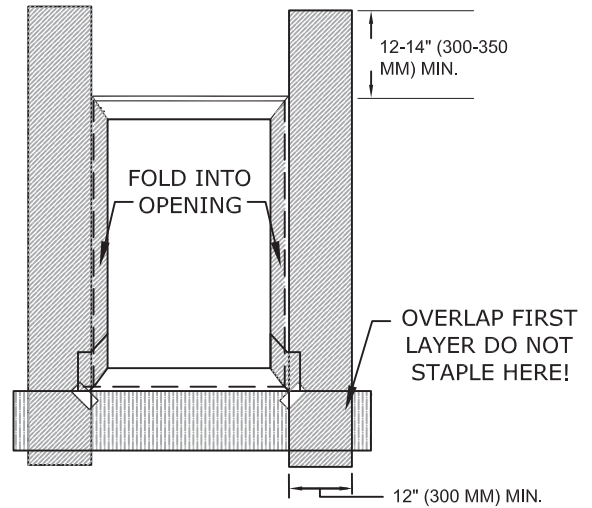


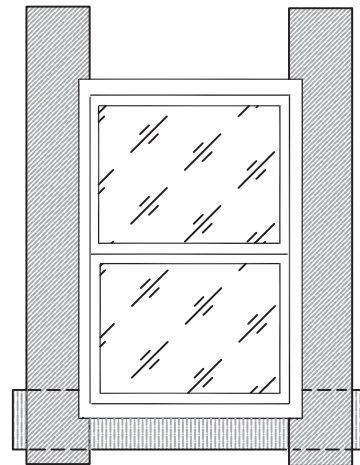
**STEP 6: CUTTING STUCCO WRAP FOR JAMBS**

CUT THE STUCCOWRAP TO FIT ROUGH OPENING JAMB



**STEP 7: INSTALLING STUCCOWRAP AT JAMBS**

FOLD STUCCOWRAP INTO ROUGH OPENING. BOTTOM LEG MUST OVERLAP FIRST LAYER AS SHOWN. DO NOT STAPLE IMMEDIATELY BELOW THE SILL /JAMB CORNERS.



**STEP 8: INSTALLING WINDOW**

AFTER THE STRIPS OF STUCCOWRAP HAVE BEEN INSTALLED AT THE SILL AND JAMBS AS SHOWN, THE WINDOW CAN BE INSTALLED

## PD G1.03B ROUGH OPENING PROTECTION

PERMADRAIN SYSTEM

NOTES:

Disclaimer: The design, specifications, and construction shall comply with all local building codes and standards. Parex USA installation guidelines are for general information and guidance only and Parex USA specifically disclaims any liability for the use of this design, and for design, engineering, or workmanship of any project. The assembly shall be designed to prevent condensation within the assembly. The designer and the user shall provide final drawings and specifications. Products shown other than those manufactured by Parex USA are shown for clarity of the Parex USA product only. Contact the manufacturer of such other products for installation instructions.